

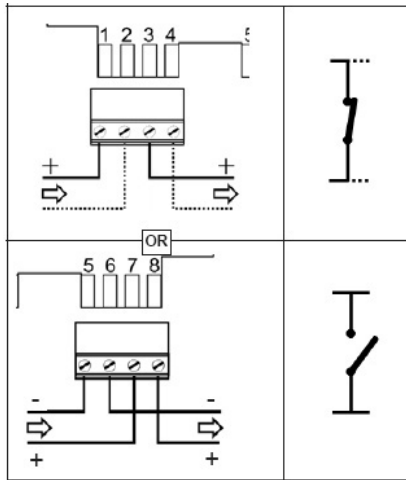
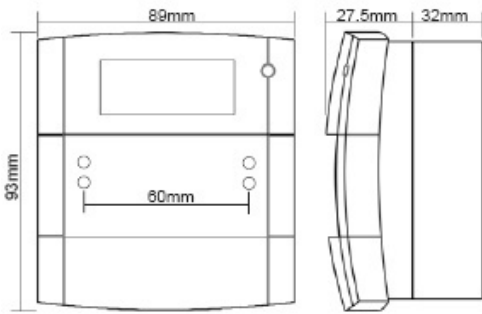
INTRINSICALLY SAFE ALARM PUSH BUTTON

AE/IS-P

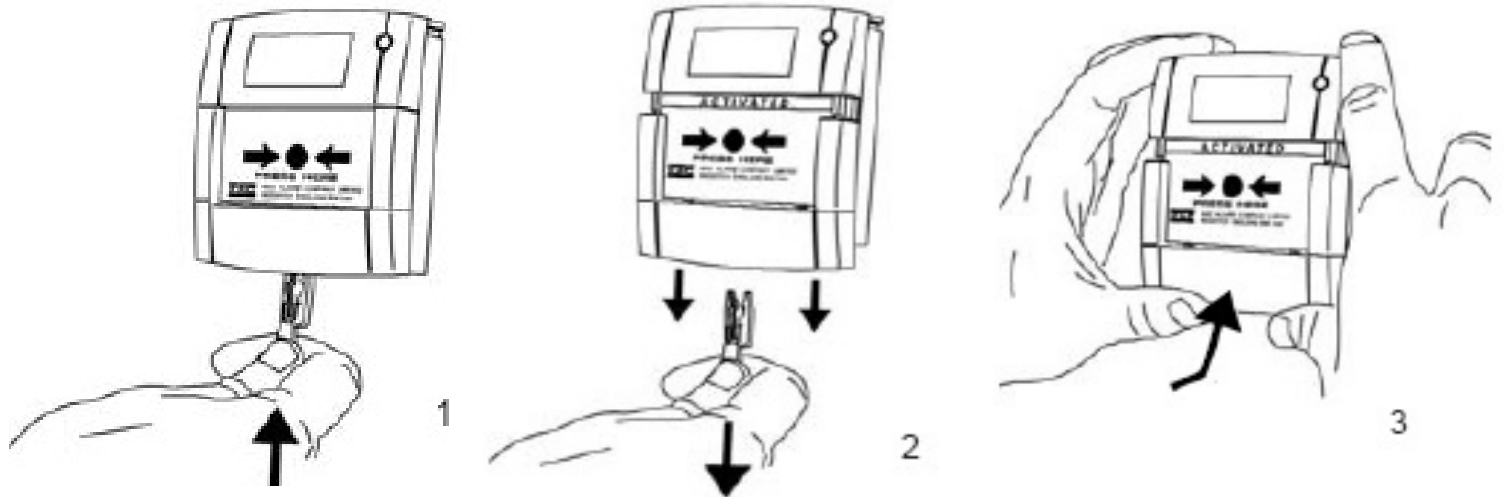
Description

Intrinsically safe push button for indoor use, suitable for installations in hazardous areas.

Dimensions and connections



Test y Reset



TECHNICAL CHARACTERISTICS

Weight: 110 - 160 gr.
 Temperature range: -10° to 55°C
 Degree of protection: IP24D
 Supply voltage: 30V

CERTIFICATIONS

Classified EX II 1G EEx ia IIC T4.
 Complies with EN 54-11 standard.